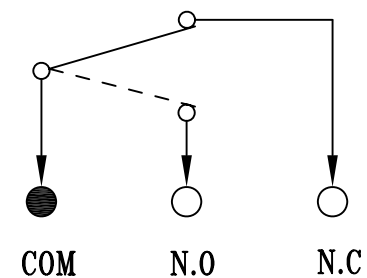
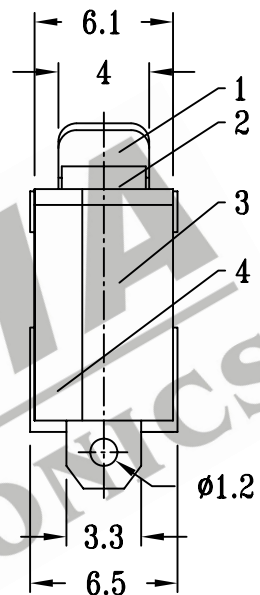
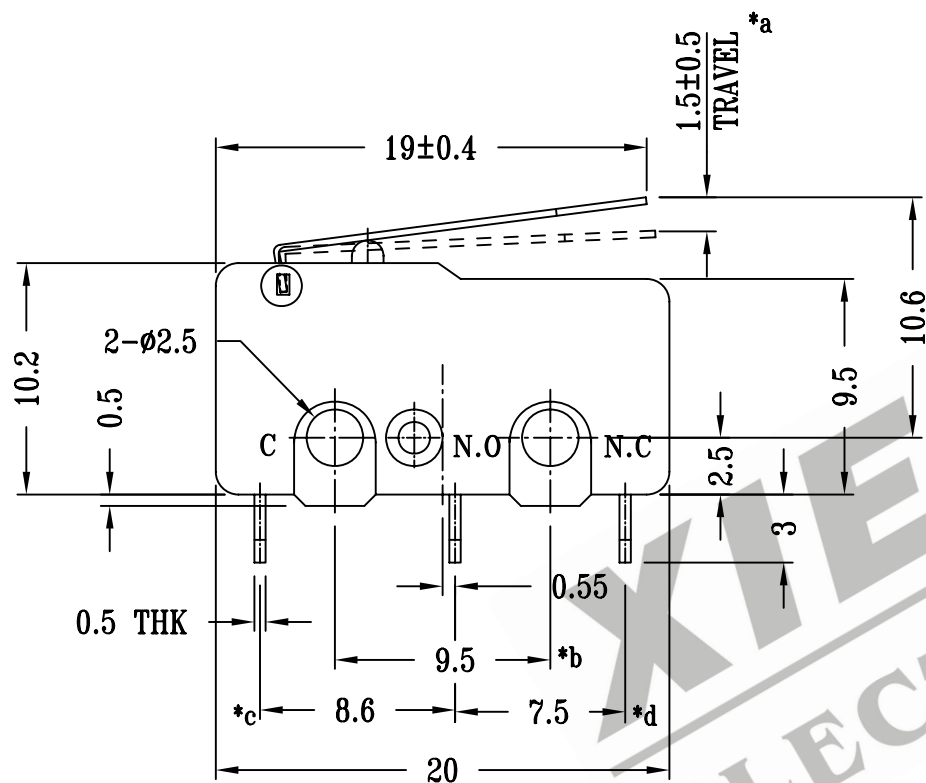
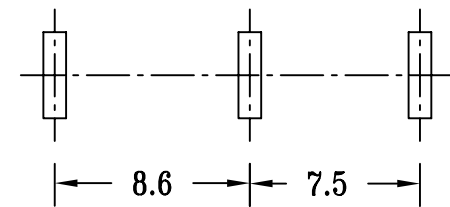


CAD FILE:



SCHMATIC



P.C.B LAYOUT

11	RIVET	ALUMINUM	1	NATURAL
10	SPRING PLATE	PBS	1	Ag PLATED
9	CONTACT	COPPER	1	Ag PLATED
8	SPRING	SUS	1	TEMPER
7	TERMINAL (N.C)	BRASS STRIP	1	Ag PLATED OVER Ni PLATED
6	TERMINAL (N.O)	BRASS STRIP	1	Ag PLATED OVER Ni PLATED
5	TERMINAL (COM)	BRASS STRIP	1	Ag PLATED OVER Ni PLATED
4	COVER	ABS	1	BLACK
3	CASE	POM	1	BLACK
2	KNOB	ABS	1	RED
1	STEEL KNOB	STAINLESS STEEL STRIP	1	WASHING
NO.	PARTS	MATERIALS	Q'TY	FINISH

注:带"*"表示关键尺寸(4个)

TOLERANCE UNLESS SPECIFIED		SHENZHEN XIEJIA ELECTRONICS CO.,LTD.		
WITHIN: 1.5±0.1mm OVER : 1.5±0.2mm		ISSUE	DATE	DESCRIPTIONS OF REVISION
TITLE : MICRO SWITCH		UNIT : mm	DRWG NO.: XJ-DR-MX9501-00	
MODEL: MX-95-01		SCALE: 3:1	DWN. ZHOUYU	2005-8-5
ALL MATERIALS MUST BE COMPLIANT TO ROHS		APPD. KANGXINAN	CHK'D FANGYING	2005-8-5
			APPD. KANGXINAN	2005-8-5